

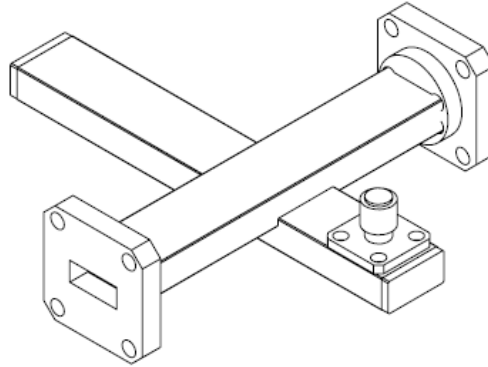


Model Number:
WGC-XX-197023

RF Components

K-Band Waveguide Cross Guide Coupler

18.00-26.50 GHz



Specification			
WG Size	WG20 / WR42 / R220		
Coupling	20±1.5 dB	30±1.0 dB	40±1.0 dB
Frequency Range	18.00 - 26.50 GHz		
Finish	Brass Flanges Copper WG Black Paint		
Flange Options	UG 596A/U (UG) / UG595/U (UF) CBR 220 (CB) / PBR 220 (PB) UBR 220 (UB) / UG595/U (US)		
RF Connector Options	50 Ω SMA Male (S4) /Female (S5) 50 Ω K-type Male (K4) /Female (K5)		
Main Line VSWR / Return Loss (max)	1.3:1 / 17.4	1.2:1 / 20.4	1.05:1 / 32.3
Directivity (typ)	20 dB	20 dB	20 dB
Dimensions	A-100mm B-50mm C-5mm		

Model Numbers						
Example: WGC-20-197023-UBPB N5						
WG	C	20	197023	UB	PB	N5
Waveguide	C-Cross Guide D-Dual Arm B-Broad wall	Coupling Factor	Model Number	Flange 1	Flange 2	RF connector

Broadcast



Marine Oil & Gas



SNG & VSAT



Satellite Teleport

